

Use

- Series of 20 mm openers with adjustable latch.
- Wide range of various opener designs.
- Best selling series of el. openers on the Czech market.

Benefits

- adjustable latch in all openers
- extended warranty to 5 years
- product price
- symmetrical structural design
- made in the Czech Republic

Function description

PROFI Standard

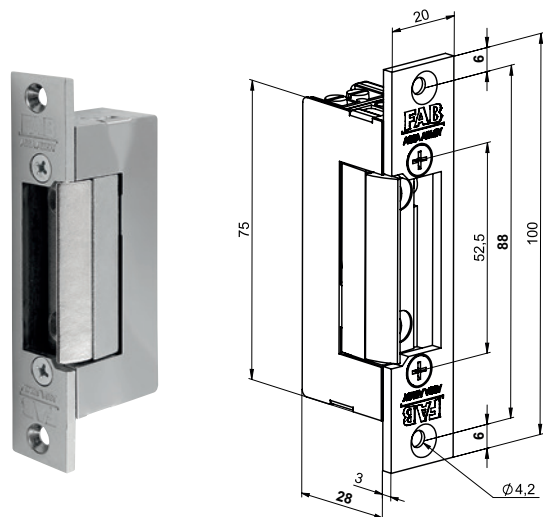
It is in UNBLOCKED position for the period of power supply only. The door is BLOCKED outside this period.

PROFI & unblocked by el. pulse for single entry

To open (unlock) the lock, a short (momentary) el. pulse is used, by which FAB PROFI with a moment pin is unlocked to the UNBLOCKED position. After passing through the door, the el. opener is in the rest position BLOCKED.

PROFI & mechanical unblocking

Enables mechanical lever set-up to UNBLOCKED or BLOCKED position. In UNBLOCKED position, suitable for permanent passing without using the el. pulse for unlimited time. After switching to BLOCKED position, it operates identically as standard models of el. openers FAB PROFI.



Order numbers PROFI standard

Passing-through under voltage, blocked without voltage

Product	Order number
6V	0611
12V	1211
12eV	11211
24V	2411

PROFI & unblocked by el. pulse for single entry

Product	Order number
6V	0621
12V	1221
12eV	11221
24V	2421

PROFI standard & mechanical unblocking

Product	Order number
6V	0611MB
12V	1211MB
12eV	11211MB
24V	2411MB

Technical data

Resistance against break-out	285 kg
Adjustable latch range	4 mm
Consumption of coils	6V AC = 1.1 A 12V AC = 300 mA 24V AC = 85 mA 6V DC = 1.5 A 12V DC = 600 mA 12eV DC = 230 mA 24V DC = 115 mA
Maximum time of coils under voltage	6V = 60 s 12V = 60s 12eV = without limitation 24V = without limitation
Operating temperature range	-15°C to +50°C
Package content	el. opener, short bar LRF100, tapping screws, door sticker